

6

5

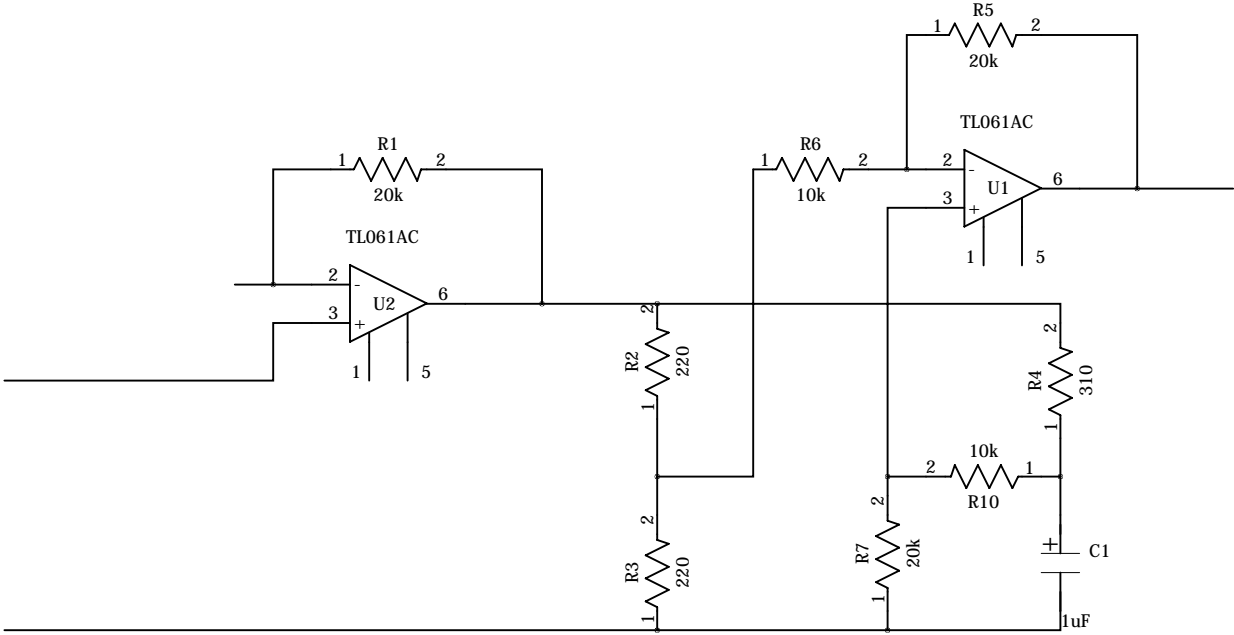
4

3

2

1

REVISION RECORD			
LTR	ECO NO:	APPROVED:	DATE:



COMPANY: **UT Austin**

TITLE: **All pass first order filter**

DRAWN: Mike Royer	DATED: Feb 1, 2007
CHECKED: <Checked By>	DATED: <Checked Date>
QUALITY CONTROL: <QC By>	DATED: <QC Date>
RELEASED: <Released By>	DATED: <Release Date>

CODE: <Code>	SIZE: B	DRAWING NO: 1	REV: 1
SCALE: <Scale>			SHEET: 1 of 1

D

C

B

A

D

C

B

A